



# > BRASS TURBINE PUMPS JEV310 / JEV311

Maximal density acceptable : 1,1 gr/cm<sup>3</sup>

JEV310 single phase motor 230 V  
JEV311 three phase motor 400 V

### APPLICATION :

Transfer of water, seawater, fuel, diesel fuel, oil (SAE30 at 30°C)  
Industry, agriculture, public works, ...

### PUMP'S CHARACTERISTICS :

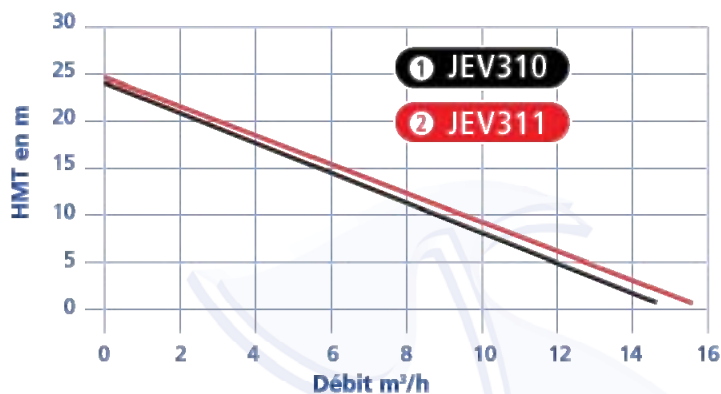
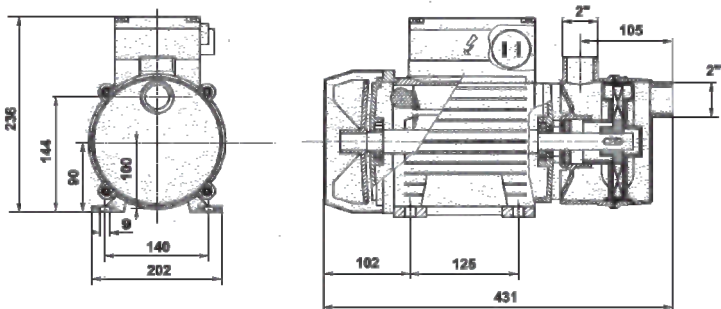
Self priming pump  
Reverse flow (double direction of rotation)  
Maximum ambient temperature between -15°C and 40°C  
Maximum relative humidity : 80 %  
Maximum temperature of pumped fluid : 90°C  
Maximum suction height : 5 meters

### COMPONENTS :

Body and cover : brass  
Turbine : brass  
Drive shaft : stainless steel  
Mechanical seal : ceramic / graphite / NBR

### MOTOR'S CHARACTERISTICS :

Enclosed motor 50 hz, cooled down by fan  
Rotation speed : 1400 tr/min  
Protection IP44  
Isolation class F



REFERENCE	TYPE	POWER in kw	VOLTAGE in volt	INTENSITY in A	Ø INLET & OUTLET	WEIGHT in kg
JEV310	Single phase	1,5	230	11,8	2" + sleeves Ø 50 mm	21
JEV311	Three phase	1,8	230/400	6,5 / 11,2	2" + sleeves Ø 50 mm	21

### ADDITIONNAL ACCESSORIES :

Suction kit  
(1 meter tube + union + suction strainer filter)  
Ref. : AST50



Discharge kit, automatic nozzle  
Standard length : 4 meters  
Ref. : RFT50A



Automatic nozzle  
Ref. : TOPW5

