



## > DIESEL FUEL AND OIL TUBING HOSE REELS 2298 / 2305 / 2307 / 2308

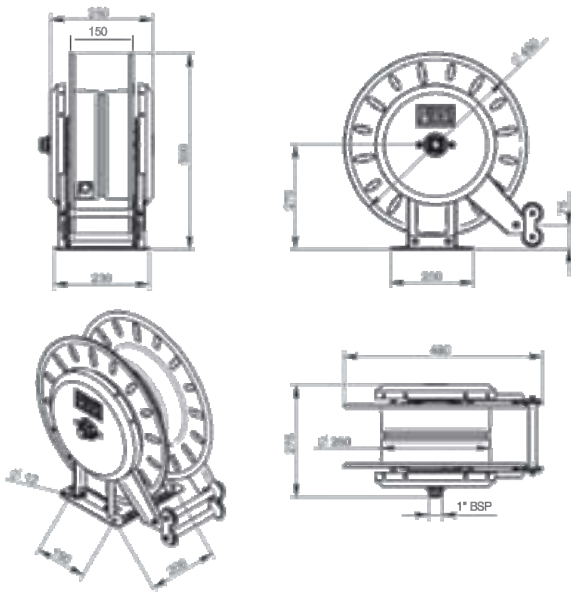
2305 - 2307 hose reels without tubing  
2298 - 2308 hose reels with tubing

### APPLICATION :

A careful concept allows limited loss of charges, and an easy use even with high flow pumps.

### TECHNICAL CHARACTERISTICS :

Reduces loss of charges.  
Secured reel drums by lateral protections which avoid any accidental contact with hands.  
Swivel adjustable to make easier positioning further needs.



REF	DESINATION	PRESSURE MAX	CAPACITY	UNION	WEIGHT	LOSS OF CHARGES
2307	Hose reel without tubing (for Ø 20)	10 bars	14 m	3/4"	18 kg	0,15 bar (60 l/min)
2305	Hose reel without tubing (for Ø 25)	10 bars	10 m	1"	18 kg	0,2 bar (80 l/min)
2308	Hose reel WITH 10 m tubing Ø 20	10 bars	10 m	3/4"	22 kg	0,7 bar (60 l/min)
2298	Hose reel WITH 10 m tubing Ø 25	10 bars	10 m	1"	26 kg	0,7 bar (80 l/min)

### ADDITIONAL ACCESSORIES :

Swivel for hose reel  
Ref. : 2304

