



> DIESEL PUMP CASE FOR PRIVATE USE COJEV2533A - COJEV5833A

COJEV2533A 230 Volt single phase
COJEV5833A 230 Volt single phase

APPLICATION :

Transfer of fuel and diesel
Industrie, agriculture, construction, ...

PUMP CHARACTERISTICS :

Vane pump with built-in bypass
Mesh filter in the pump intake
Maximum inlet height : 5 m

MOTOR CHARACTERISTICS :

Asynchronous motor : 50 Hz
F class isolation
Protection : IP55

PUMP'S COMPONENTS :

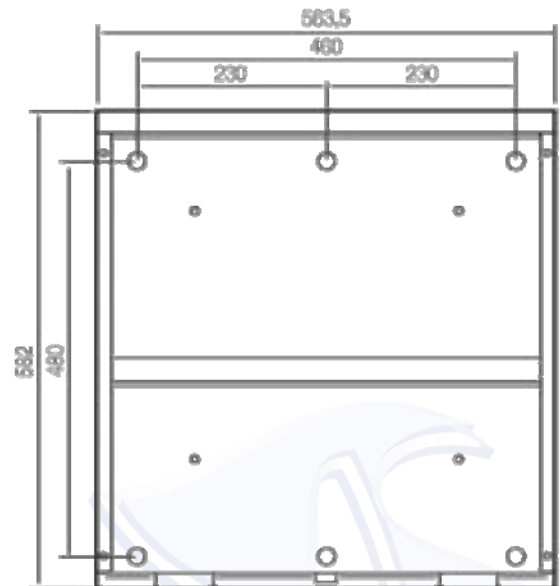
Pump body : cast iron
Vane support : steel
Vaness : delrin

EQUIPMENT :

1 station with complete body
1 manual meter 3 digits K33
4 meter diesel fuel tube Ø 25
1 automatic delivery nozzle
1 on / off switch



COJEV5833A



REFERENCE	POWER in Kw	VOLTAGE in volt	CURRENT in ampere	DIAMETER	MAX FLOW RATE in m³/h	MAX HEIGHT in m	WEIGHT in kg
COJEV2533A	0,37	Mono 230	2,2	1"	3,4	15	21
COJEV5833A	0,75	Mono 230	4,6	1"	6	17	46,6

ADDITIONNAL ACCESSORIES :

Fuel water filter separator with adapter 1"

Ref. : TUF460 (for JEV2533A case)

Ref. : TUF500 (for JEV5833A case)



Suction kit, standard
length 1 meter

Ref. : AS32

