



> DIRECT CURRENT PUMP WITH GEAR FOR OIL

HC1 - HC2 - HC3 - HC4

HC1 and HC3 : pump with engine 12 V
 HC2 and HC4 : pump with engine 24 V

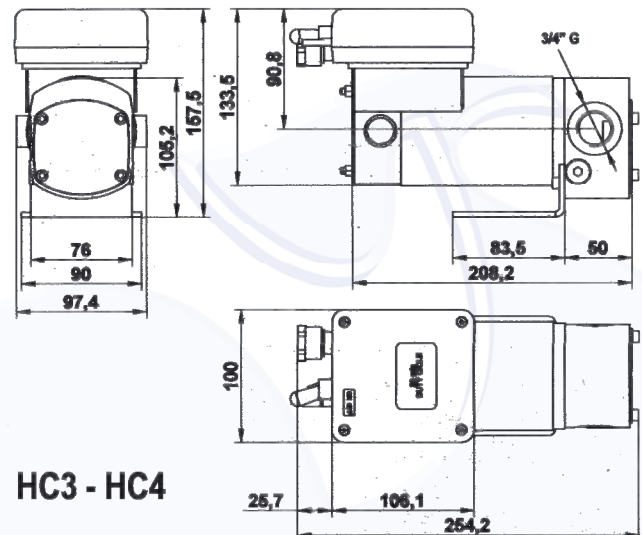
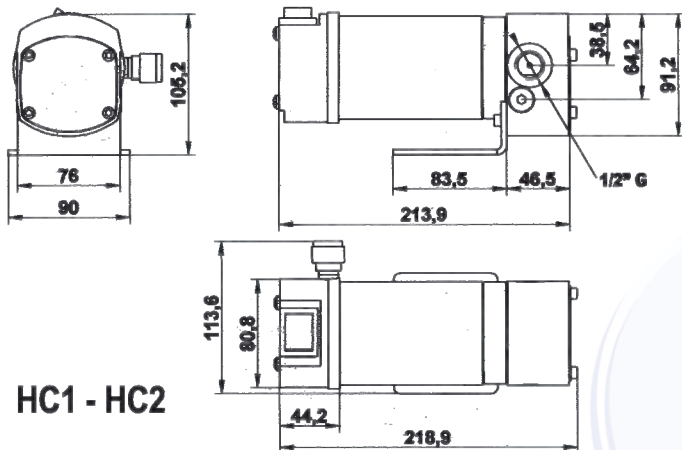
APPLICATION :

Volumetric gear pump for the transfer of clean oil.
 Use in casual service of a maximal duration of 30 minutes.
 Compact pump for the distribution, the transfer of oil from a tin or a mobile tank, on construction sites, in ports, aboard vehicles, aboard boats, etc..



PUMP'S CHARACTERISTICS :

Height of suction : 2,5 m (variable according to viscosity)
 Maximum temperature of the liquid pumped : 60° C
 By-pass integrated.
 Motor with brooms DC - Protection IP55
 Rotation speed : 2900 RPM
 Pump body : aluminium
 Gearing : sintered steel



REFERENCE	VOLTAGE in Volt	POWER in kW	INTENSITY in AMPERE	MAX FLOW RATE in m ³ /H	PRESSURE in Kg/cm ²	Ø INLET & OUTLET	VISCOSITY mm ² /s (cSt)	WEIGHT in Kg
HC1	12	0,15	16	0,22	5	1/2"	50 à 2000	3
HC2	24	0,15	9	0,24	5	1/2"	50 à 2000	3
HC3	12	0,3	35	0,66	3	3/4"	50 à 600	4,9
HC4	24	0,3	18	0,69	3	3/4"	50 à 600	4,9