



# > DOUBLE SETS DIESEL - ELECTRIC PUMP WITH PRIMING AND EMERGENCY MANUAL PUMP PA00302 / PA00303

PA00302 single phase motor 230 Volt  
 PA00303 three phase motor 400 Volt

### APPLICATION :

Diesel fuel pumping kit made of a combination with a manual pump and two electric pumps (included one for emergency) assembled on a metallic frame.  
 The manual pump has two functions : it is a priming pump for diesel fuel process and emergency pump in case of electricity failure.

The electric pumps keep their characteristics, the manual pump generates a loss of load same as a check valve.

### ELECTRIC PUMP'S CHARACTERISTICS :

Maximum suction height : 5 meters  
 Maximum flow rate : 5,9 m<sup>3</sup>/hours

### MOTOR'S CHARACTERISTICS :

Frequency : 50 Hz  
 Isolation class F  
 Protection : IP44

### ELECTRIC PUMP'S COMPONENTS :

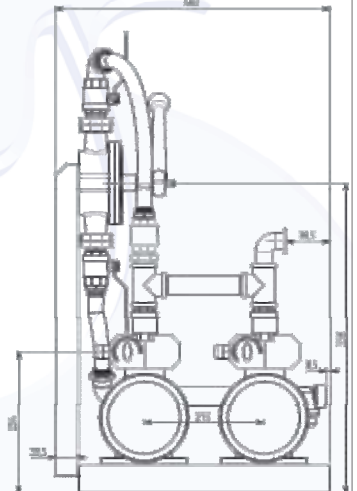
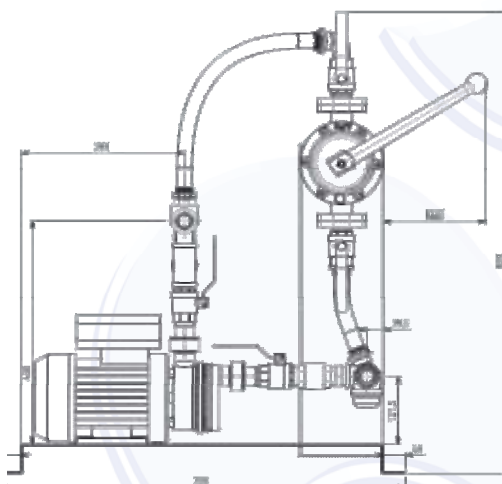
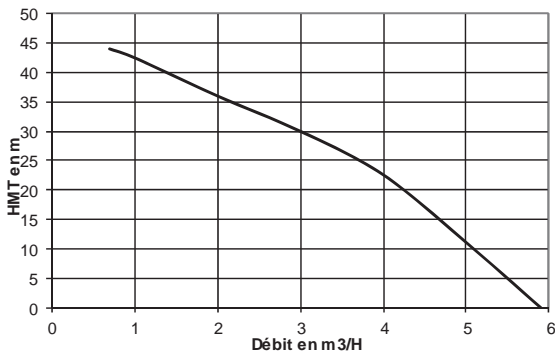
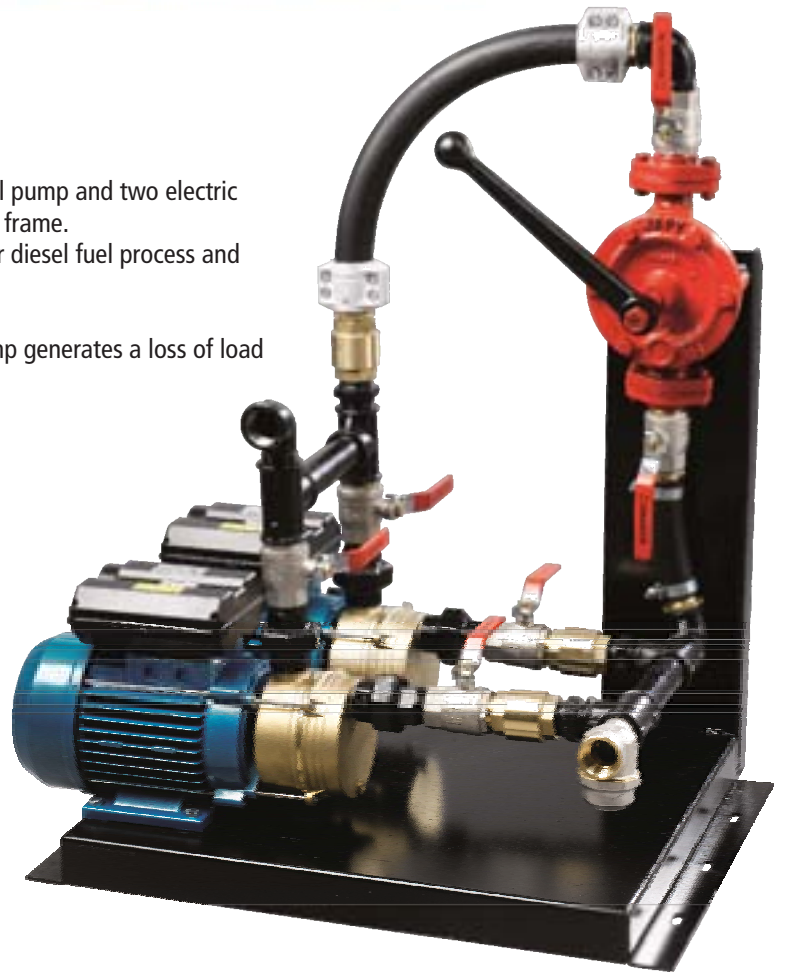
Pump body : brass  
 Turbine : brass  
 Mechanical seals : ceramic / graphite / NBR  
 Drive shaft : stainless steel  
 Internal mechanism : brass

### MANUAL PUMP'S CHARACTERISTICS :

Maximum suction height : 7 meters  
 Maximum flow rate: 1,3 m<sup>3</sup>/h

### MANUAL PUMP'S COMPONENTS :

Body and cover : cast iron  
 Internal mechanism : zamak  
 Pump's axel and screws : iron



| REFERENCE | DESIGNATION      | TYPE         | MAX FLOW RATE   | HMT MAX | POWER in kw | VOLTAGE in volt | INTENSITY in ampere | ROTATION SPEED | INLET & OUTLET | WEIGHT in kg |
|-----------|------------------|--------------|---|---------|-------------|-----------------|---------------------|----------------|----------------|--------------|
| PA00302   | 2 JEV302 + EZ1RS | Single phase | JEV302 : 5,9 m <sup>3</sup> /h<br>EZ1RS : 1,3 m <sup>3</sup> /h | 42 m    | 1,5         | 230             | 4,8                 | 2800 t/min     | 1 "            | 52           |
| PA00303   | 2 JEV303 + EZ1RS | Three phase  | JEV303 : 5,9m <sup>3</sup> /h<br>EZ1RS : 1,3 m <sup>3</sup> /h  | 42 m    | 1,5         | 400             | 1,6                 | 2800 t/min     | 1 "            | 52           |

