



# > 316 STAINLESS STEEL LIQUID RING PUMPS

GT50 / GT130 / GT140 / GT150

Maximal density acceptable : 1,1 gr/cm<sup>3</sup>

GT50M / GT130M / GT140M / GT150M 230 Volt single-phase motor  
GT50TRI / GT130T / GT140T / GT150T 400 Volt three-phase motor

### APPLICATION SECTOR :

Transfer of liquid food products (milk, wine, olive oil; fruit juice,...), liquid chemicals, chemical fertilisers, seawater.

### PUMP CHARACTERISTICS :

Self-priming pump  
Possible flow inversion  
Maximum inlet height : 6 m  
Maximum fluid temperature : 130 °C  
Supplied with power cable and plug for single-phase motor

### COMPONENTS :

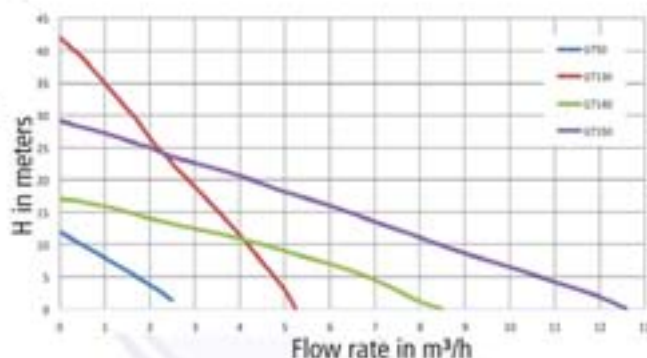
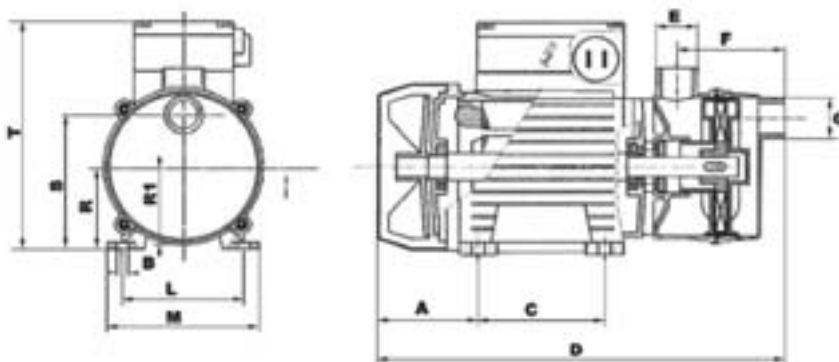
Pump body : 316 stainless steel  
Turbine : 316 stainless steel  
Motor shaft : 316 stainless steel  
Mechanical seal : ceramic / graphite / viton

### PUMP CHARACTERISTICS :

Protection : IP44 - F class asynchronous motor - S1 operation



**DO NOT USE WITH FLAMMABLE OR EXPLOSIVE PRODUCTS**



REF	Dimension in mm												
	A	B	C	D	E	F	G	L	M	R	R1	S	T
GT50	75	9	90	305	1"	70	1"	115	144	71	71	112	189
GT130	85	9	100	347	1"	82	1"	125	160	80	71	122	208
GT140	85	9	100	382	1 1/2"	111	1 1/2"	125	160	80	83	113	208
GT150	100	9	125	438	2"	118	2"	140	200	90	100	144	237

REF	FLOW RATE	H MAX
GT50	2,5 m³/h	12 m
GT130	5,4 m³/h	42 m
GT140	8,2 m³/h	16 m
GT150	12,3 m³/h	28 m

REFERENCE	TYPE	POWER in kw	VOLTAGE in volt	CURRENT in amperes	ROTATION SPEED	INLET / OUTLET	WEIGHT in kg
GT50M	Single-phase	0,44	230	3,1	1400 rpm	1"	9
GT50TRI	Three-phase	0,44	400	1,2	1400 rpm	1"	9
GT130M	Single-phase	1,5	230	8,8	2800 rpm	1"	13,3
GT130T	Three-phase	1,5	400	3,6	2800 rpm	1"	13,3
GT140M	Single-phase	0,9	230	5,5	1400 rpm	1 1/2"	13,9
GT140T	Three-phase	0,9	400	2	1400 rpm	1 1/2"	13,9
GT150M	Single-phase	1,5	230	11,8	1400 rpm	2"	19,8
GT150T	Three-phase	1,87	400	4,2	1400 rpm	2"	19,8