



EEX-C1 motor 12 Volt
F-EEX-C1-EQA motor 12 Volt emptying barrel with automatic nozzle



APPLICATION :

Transfer unit for potentially explosive liquids : gasoline, kerosene and diesel oil.

Intended for non-commercial use, certified ATEX/IECEX II 2G Ex IIA T4 Gb

PUMP CHARACTERISTICS :

- Flow rate until 50 l/min
- Suction capacity : 2 m (4 m with a check valve)
- Bypass integrated
- Thermally protected
- On the equipped pump :
 - Check valve integrated
 - Safety valve

PUMP COMPONENTS :

Body pump : cast iron

Fully-flanged components : pumps, flow meter and filters can be fitted or replaced without use of sealing paste, making the connections quick and safer.

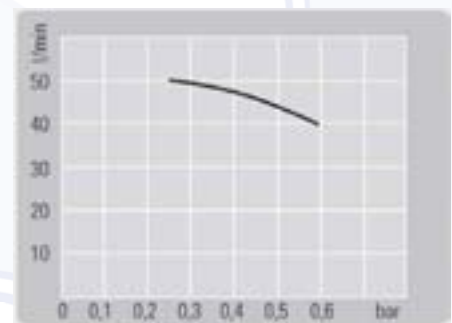
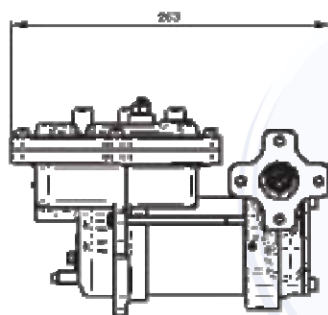
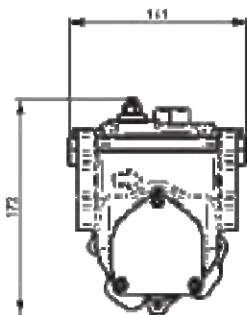
F-EEX-C1-EQA : Equipped pump with telescopic pipe and quick 2" coupling, 4 meters of pipe Ø 3/4" in the expulsion, cartridge with water absorption and automatic nozzle
Weight : 10 kg



EEX-C1



F-EEX-C1-EQA



Casual service of a maximal of 30 minutes with a period of cooling of 60 minutes between every cycle

REFERENCE	MAX FLOW RATE in m ³ /h	VOLTAGE in volt	MOTOR in Watt	CURRENT in ampere	Ø INLET AND OUTLET	ROTATION SPEED	WEIGHT in kg
EEX-C1	3	12	250	21	1 "	2700 RPM	6,9