

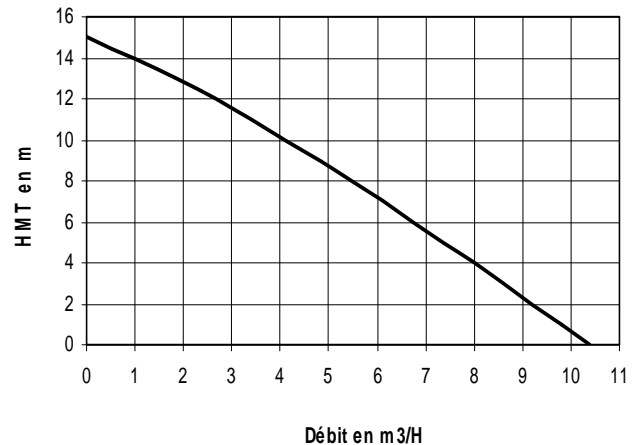


# DIRECT CURRENT TURBINE PUMP FOR WATER, SEA WATER, DIESEL OIL, LIGHT OIL G170C2

Maximal density acceptable : 1,1 gr/cm<sup>3</sup>



G170C2



## APPLICATION :

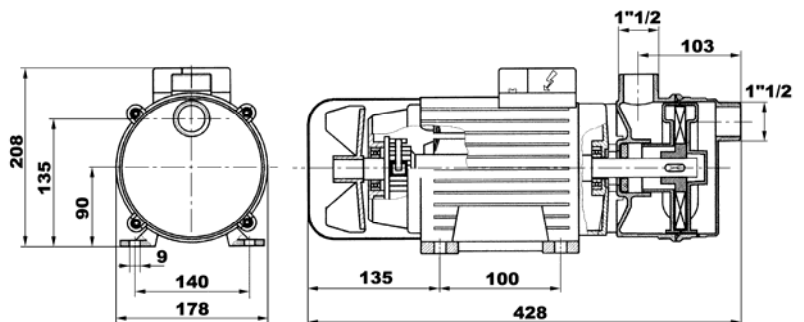
Transfer of fuel oil, diesel oil, light oil (100 mm<sup>2</sup>/s max), sea water and not aggressive products  
Industry, agriculture, public works, navy,...

## COMPONENTS :

Pump body : brass  
Turbine : brass  
Driving shaft : stainless steel  
Mechanic seal : ceramic / graphite / NBR

## PUMP'S CHARACTERISTICS :

Self-priming pump 24 V  
Maximum suction height : 5 meters  
Power : 0,75 kW  
Intensity : 42 A  
Rotation speed : 1500 RPM  
Weight : 15 kg  
Ø inlet and outlet : 1"1/2 with sleeve for hose Ø 40 mm



## ADDITIONAL ACCESSORIES :

Suction kit : check valve + sleeve + 1 meter of hose Ø 40  
Ref. : AST40



Discharge kit : 4 meters of hose Ø 40 + manual nozzle  
Ref. : RFT40

